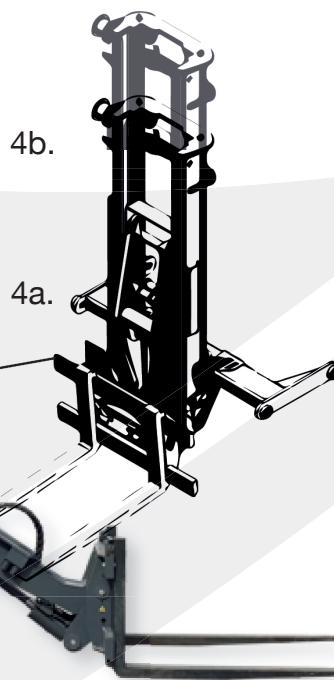
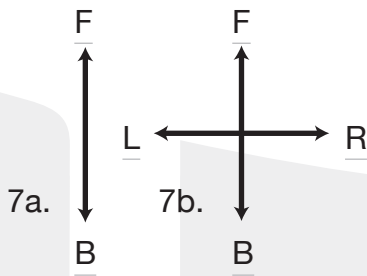


# 825iSR



## LIFT HEIGHT OPTIONS

4a. 3100mm

4b. 3600mm

## TYRE OPTIONS

5a. 10 x 16.5

5b. 280/60

5c. 27 x 10

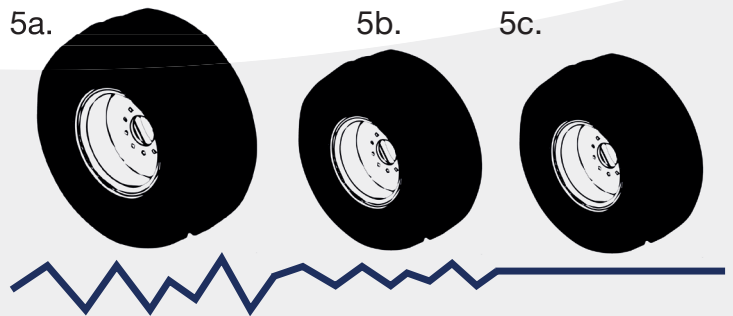
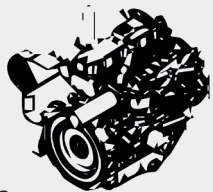
## ENGINE OPTION

6a. 49hp 4 Cylinder

## MULTI DIRECTIONAL STEERING

7a. B - Direction

7b. Multi - Direction (4 way)



## LOADMAC 825iSR

Lifting capacity - 2500kg @ 600mm Load centre

Engine - 49hp 2200cc Yanmar Diesel

Lift height - 3100mm or 3600mm

Steering - Hydrostatic - 90° in both directions

Drive - All wheel hydrostatic drive

Overhang - 1350mm

Overall width - 2460mm

Mast height collapsed - 2469mm

Top speed - 8mph / 13kph (depends on wheel size)

Ground clearance - 200mm

Unladen weight - 2480kg

Multi-Directional option (M)

Integrated fork positioning option

More reach  
Better stability  
Faster (un)loading  
Man on the ground mounting  
Better HGV unladen ride characteristics  
True lift capacity