

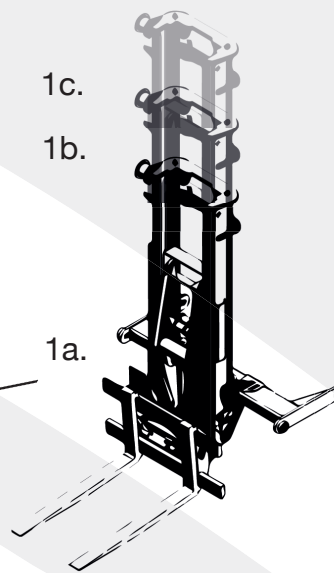
# 220iR



1c.

1b.

1a.



## LIFT HEIGHT OPTIONS

1a. 2600mm

1b. 3100mm

1c. 3600mm

## TYRE OPTIONS

2a. F 27" / R 27"

2b. F 23" / R 27"

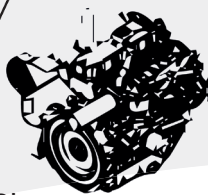
## ENGINE OPTIONS

3a. 25hp 3 Cylinder

3b. 44hp 4 Cylinder Turbo

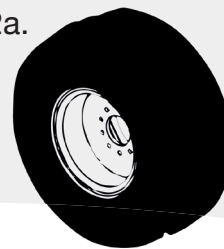


3a.

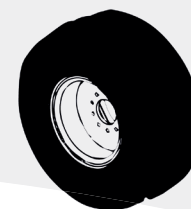


3b.

2a.



2b.



## LOADMAC 220iR

Lifting capacity - 2000kg @ 600mm Load Centre

Engine - 25hp or 44hp Kubota Diesel

Lift height - 2600mm, 3100mm or 3600mm

Steering - Hydrostatic - 90° in both directions

Drive - All wheel hydrostatic drive

Overhang - 1100mm

Overall width - 2160mm

Mast height collapsed - 2200mm

Top speed - 8-12mph / 13-19kph (depends on wheel size)

Ground clearance - 180mm

Unladen weight - 1990kg

Integrated fork positioning option

Telescopic forks option

**LOADMAC TRUCK  
MOUNTED FORKLIFTS**